
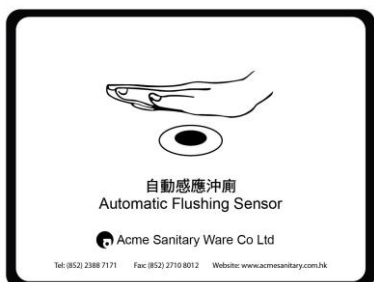







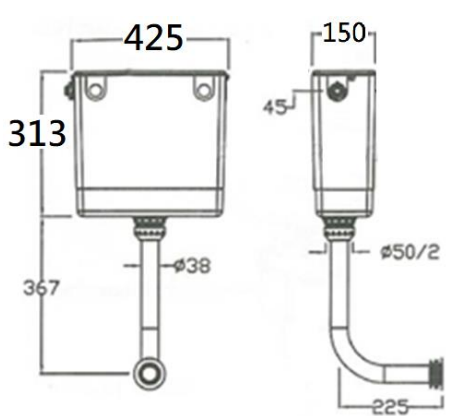
PROJECT		REF		REV	ITEM CODE	
LOCATION		DATE			PAGE	

## SANITARY WARE SPECIFICATION SHEET

Item Descriptions	EMCA (PRC) Automatic sensor toilet flushing system with concealed cistern with manual flushing (DC supply)	<p>Illustration/ Drawing</p>   <p>自動感應沖廁 Automatic Flushing Sensor</p> <p>Acme Sanitary Ware Co Ltd Tel: (852) 2388 7171 Fax: (852) 2710 8012 Website: www.acmesanitary.com.hk</p>
Dimensions	W425 x H313 x D150 mm	
Model	EM6008.017DC	
Finish	Plastic	
Source	Acme Sanitary Ware Co. Ltd Mr. Eric Wong/ Mr. Wilson Hung	
Contact Tel/Fax	(852) 2388-7171 / (852) 2710-8012	
E-mail	acme@acmesanitary.com.hk	
Website	www.acmesanitary.com.hk	

**Features:**

- 100% touch-free, germ free system.
- Smart Proximity Infrared Sensors.
- Retrofit design easy installation for single flush valves.
- Power drive motor unit hide inside the toilet tank.
- Manual override flush function.
- Fit most WC in top push button tank.
- Powered by a 3.6V lithium battery (included).
- Battery last up to 3 years or 22,000 flushes.

Technical drawing dimensions:  
 Top width: 425  
 Total height: 313  
 Bottom width: 367  
 Flange diameter:  $\phi 38$   
 Sensor unit height: 150  
 Sensor unit top offset: 45  
 Sensor unit bottom diameter:  $\phi 50/2$   
 Sensor unit bottom offset: 225


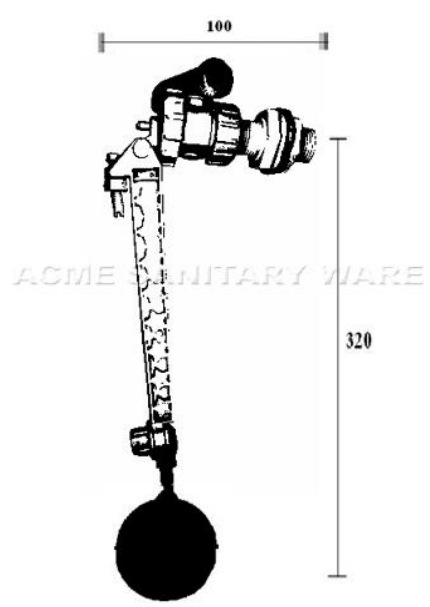
**Note:**  
 Manual operation is valid in the condition that there are electric supply

\* All information of the above is for the reference only. No prior notice is made if any changes.



PROJECT		REF		REV	ITEM CODE	
LOCATION		DATE			PAGE	

**SANITARY WARE SPECIFICATION SHEET**

Item Descriptions	KIMS (PRC) Side inlet float operated	Illustration/ Drawing
Model	C-3134	  
Material	Plastic	
Manufacturer	KIMS (PRC)	
Source	Acme Sanitary Ware Co. Ltd Mr. Eric Wong/ Mr. Wilson Hung	
Contact Tel/Fax	(852) 2388-7171 / (852) 2710-8012	
E-mail	acme@acmesanitary.com.hk	
Website	www.acmesanitary.com.hk	

Note:

\* All information of the above is for the reference only. No prior notice is made if any changes.



水務署  
Water Supplies Department

總部 Headquarters

香港灣仔道七號入境事務大樓 48 樓

Tower, 7 Gloucester Road, Wan Chai, Hong Kong



本署檔號  
Our ref.  
來函檔號  
Your ref.

/2024 T/J(33/2024)

電話 :  
Tel. :  
傳真 : 2824 0578  
Fax :

19 March 2024



Dear Sir,

**Approval of "KIMS" Float Operated Valve  
(General Acceptance No. C20240189F)**

Your E-Application [file-id: ETJ-GA-20240103-197] dated 10 January 2024 and subsequent submissions received by this department up to 26 February 2024 refer.

Having considered the test report ref. J29493 issued on 3 January 2024 by Nutek Systems (HK) Limited, this Authority accepts that the fitting described below complies with, and its use when correctly installed does not contravene, the Waterworks Ordinance and Regulations.

**Name of Manufacturer:** Dongguan Xin Tian Plastic Products Co Ltd

**Country of Origin:** the Mainland of China

**Brand:** Kims

**Details of Fitting:** 1/2" Plastic float operated valve

**Model:** C-3134

**Body Markings:**



**Expiry Date:** 14 December 2028

**Proviso:** As the fitting has not been tested for use in contact with water intended for human consumption, the fitting can only be used in flushing water plumbing systems.

This Authority hereby permits the use of the above fitting in flushing water plumbing systems subject to full adherence to Waterworks installation requirements. In particular, you are required to draw your customers' attention to the following requirement-

"The flushing volume of the flushing valve should be adjusted to suit the design of the toilet bowl so that wastes can be cleared effectively by a single flush."

"The fitting should be used within the range of working pressures specified by the manufacturer." AND

"The installed fitting should not result in backflow of water that will contaminate the flushing water supply."

A condition of this acceptance is that the fitting to be installed shall be replicas of the sample as certified by the testing agent mentioned above and without modifications. This acceptance may be withdrawn at any time if the standard of the fitting installed fails to meet that of the approved sample or if the fitting is found to be unsuitable for use in flushing water plumbing systems.

For the use of the fitting in any project, the General Acceptance Number of this letter must be quoted as a means of identification of acceptance of the fitting by this Authority.

Should you have any enquiries, please contact our Engineer Mr Albert CHOW at tel. no. 3583 4086.

Yours faithfully,



(Terry KUNG)

for Director of Water Supplies

Encl.

c.c. WSD 3321/1/82 ] - without catalogue  
ME/MC ] - with soft copy only



# Acme Sanitary Ware Co. Ltd.

1/F, Acme Building, 22-28 Nanking Street, Kowloon, Hong Kong

Tel: 2388 7171 Fax: 2710 8012

Email: acme@acmesanitary.com.hk

Website: www.acmesanitary.com.hk

Since 1949

PROJECT		REF		REV	ITEM CODE	
LOCATION		DATE			PAGE	

## SANITARY WARE SPECIFICATION SHEET

Item Descriptions	Meitu (PRC) Plastic sinlge flush valve	Illustration/ Drawing
Model	P10	
Material	Plastic	
Manufacturer	Meitu (PRC)	
Supplier	Acme Sanitary Ware Co. Ltd Mr. Eric Wong/ Mr. Wilson Hung	
Contact Tel/Fax	(852) 2388-7171 / (852) 2710-8012	
E-mail	acme@acmesanitary.com.hk	
Website	www.acmesanitary.com.hk	

\* All information of the above is for the reference only. No prior notice is made if any changes.



水務署  
Water Supplies Department

總部 Headquarters

香港灣仔道七號入境事務大樓 48 樓

Tower, 7 Gloucester Road, Wan Chai, Hong Kong



本署檔號  
Our ref.  
來函檔號  
Your ref.

2021 T/J(470/2021)

電話 :  
Tel :  
傳真 : 2824 0578  
Fax :

16 April 2021



Dear Sir,

**Approval of “MEITU” Flush Valve  
(General Acceptance No. C20210394F)**

Your letters both ref. WRC/21001 dated 16 March 2021 and 29 March 2021 refer.

Having considered the test report ref. J25842 issued on 12 March 2021 by Nutek Systems (HK) Limited, this Authority accepts that the fitting described below complies with, and its use when correctly installed does not contravene, the Waterworks Ordinance and Regulations.

**Name of Manufacturer:** Zhongshan Meitu Plastic Ind Co Ltd

**Country of Origin:** the Mainland of China

**Brand:** Meitu

**Details of Fitting:** 2" Plastic single flush valve

**Model:** P10

**Body Markings:** **MEITU**

**Expiry Date:** 20 December 2025





**Proviso:** As the fitting has not been tested for use in contact with water intended for human consumption, the fitting can only be used in flushing water plumbing system.

This Authority hereby permits the use of the above fitting in flushing water plumbing systems subject to full adherence to Waterworks installation requirements. In particular, you are required to draw your customers' attention to the following requirement-

"The flushing volume of the flushing valve should be adjusted to suit the design of the toilet bowl so that wastes can be cleared effectively by a single flush."

"The fitting should be used within the range of working pressures specified by the manufacturer." AND

"The installed fitting should not result in backflow of water that will contaminate the flushing water supply."

A condition of this acceptance is that the fitting to be installed shall be replicas of the sample as certified by the testing agent mentioned above and without modifications. This acceptance may be withdrawn at any time if the standard of the fitting installed fails to meet that of the approved sample or if the fitting is found to be unsuitable for use in flushing water plumbing systems.

For the use of the fitting in any project, the General Acceptance Number of this letter must be quoted as a means of identification of acceptance of the fitting by this Authority.

Should you have any enquiries, please contact our Engineer Mr. Terry KUNG at tel. no. 3583 4086.

Yours faithfully,



(Roger WONG)

for Director of Water Supplies

Encl.

c.c. WSD 3321/1/82 ] - without catalogue  
ME/MC ] - with soft copy only